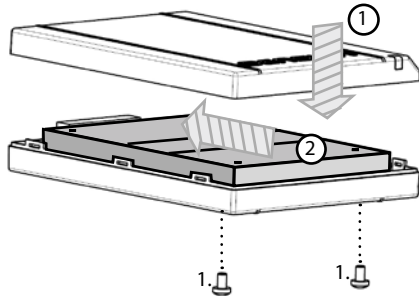
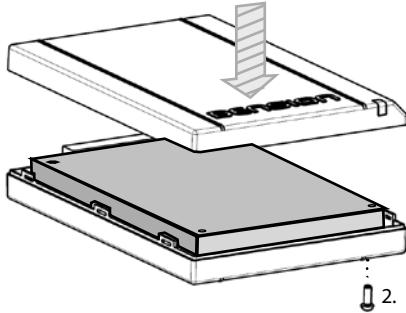


Installation Guide

1a. MediaBank Cartridge



1b.



The MediaBank Cartridge is an optional storage device for **ice>Link Gateway 300, 400 & 500**, connecting to the USB port of the Gateway. It can accommodate any standard 2.5" IDE Hard Disk Drive (HDD) with no limits on drive capacity. The MediaBank Cartridge can be used with the **DIN Dock**, **Universal Dock** or as a standalone device.

HDD installation and assembly:

1. Insert HDD to the IDE connector in the bottom part of the cartridge, see Fig. 1a
2. Fix HDD with the two screws (Type 1) supplied
3. Place the top part of the cartridge to the bottom part and latch it by applying slight pressure
4. Fix it with the screw supplied (Type 2), see Fig. 1b

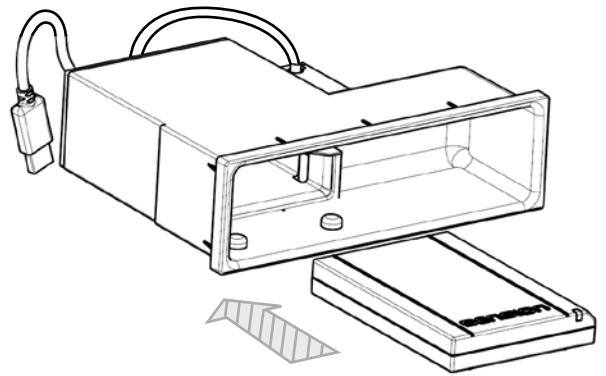
Use the standalone USB cable to connect the Cartridge to a PC.

Note 1: MediaBank Cartridge is shipped without a HDD

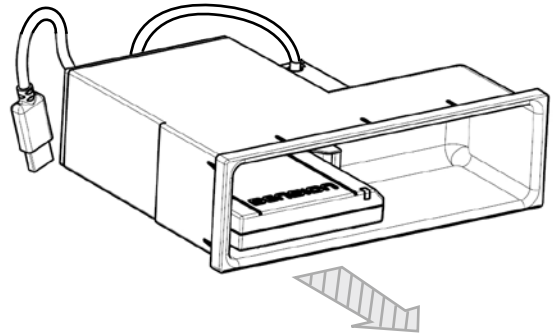
Note 2: Cartridge can be used either horizontally or vertically

Note 3: HDD must be partitioned and formatted for FAT32 file system for use with the Gateway.

2a. MediaBank DIN Dock



2b.



Installation requires a free single DIN-sized slot in the centre console, glove compartment or another available location available depending upon car model.

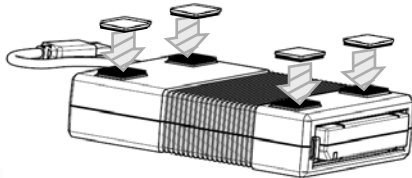
Installation:

1. Place the unit to the DIN slot
2. Connect the USB plug to USB port of the **Gateway 300, 400 or 500**
3. Place the unit in the DIN slot by applying a slight pressure. No screws or other tools are required

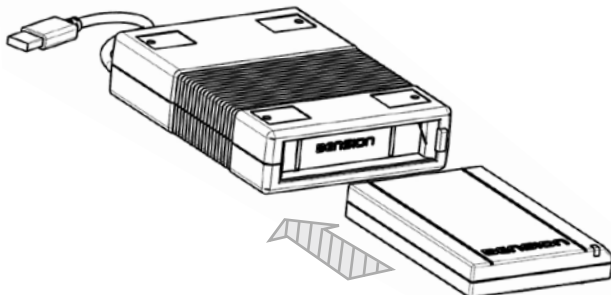
If necessary use the optional Dension **USB2000** 1.5m long extension cable. Only use an original Dension USB cable to avoid operational problems. No configuration or software installation is required.

Note: Dock can be installed in either horizontal or vertical position.

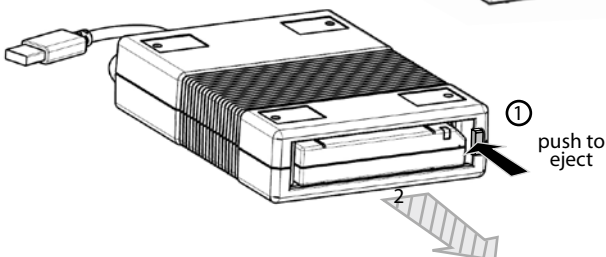
3a. MediaBank Universal Dock



3b.



3c.



Installation:

1. Find a suitable place for the Dock close to the **Gateway 300, 400 or 500**.
2. Fix the unit with the supplied Velcro strips in a horizontal position.
3. Connect the USB plug to the USB port of the **Gateway 300, 400 or 500**

If necessary use the optional Dension **USB2000** 1.5m long extension cable. Only use an original Dension USB cable to avoid operational problems.

Note: Avoid hot installation locations (e.g. near the car heating system)

Parts list

MediaBank Cartridge:

- 1x bottom part
- 1x top part
- 2x screws type 1 (large)
- 1x screws type 2 (small)
- 1x USB PC cable
- 1x Installation Guide

MediaBank DIN Dock:

- 1x DIN Dock with 1.5m long cable
- 1x Installation Guide

MediaBank Universal Dock:

- 1x Universal Dock with 1.5m long cable
- 4x Velcro fixing strips
- 1x Installation Guide

Dimensions:

1. MediaBank Cartridge:	118 mm x 84 mm x 18.5 mm
2. MediaBank DIN Dock:	144.5 mm x 189 mm x 58.1 mm
3. MediaBank Universal Dock:	148 mm x 110 mm x 34 mm

DENSION
Audio Systems

DEMBX-9201-1