

# Gateway Lite

## General Installation Guide

GWL-9230-1



### 1. Introduction

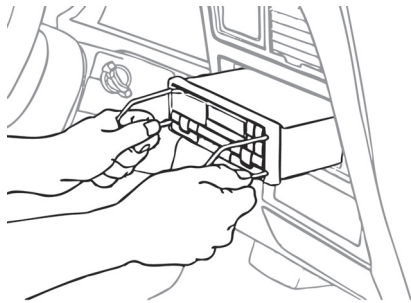
Gateway Lite enables music playback from a USB storage or iPod through your vehicle's entertainment system, using the buttons of the car stereo for basic control. This device is designed to give easy to manage control in cars where it is not possible to display text, therefore only basic control is available (track skip functions and USB folder browsing).

### 2. Getting started

At first, please make sure that the vehicle compatibility is correct. The Gateway Lite is available in specific versions for different vehicle types, therefore the exact operation and installation may be different in each case. **IMPORTANT! During the installation always make sure that the ignition key is removed from the car, the radio is switched off and that you have the security code of the head unit (radio) available (if applicable).**

### 3. Remove the head unit

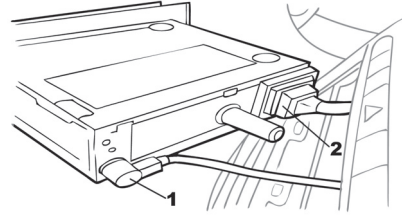
First, carefully remove your vehicle's existing factory fitted head unit according to the factory instructions and using the correct tools.



In some cases, removing the head unit will also requires panel removal. Contact your vehicle's dealer or a Dension authorized installer/supplier for more information.

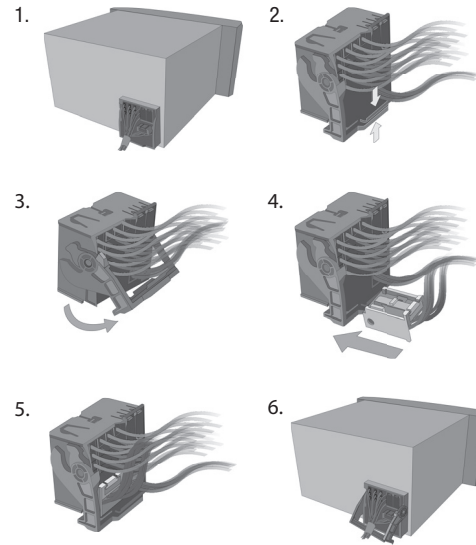
### 4. Fitting the Gateway harness

Once the head unit has been removed, disconnect the antenna cable (1) and then unclip the main wiring connector from the head unit (2). This will differ in all makes and manufacturers.

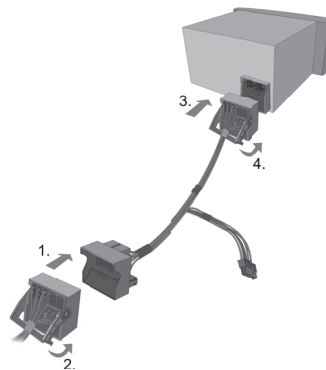


Once the main radio cable is removed, you can connect the Gateway with the supplied cable to the head unit. The connection methods may vary by each head unit versions, here are the possible situations:

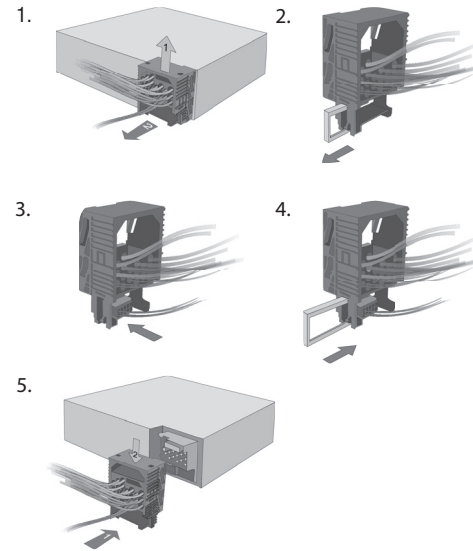
#### Cars with quadlock connector (not break-in)



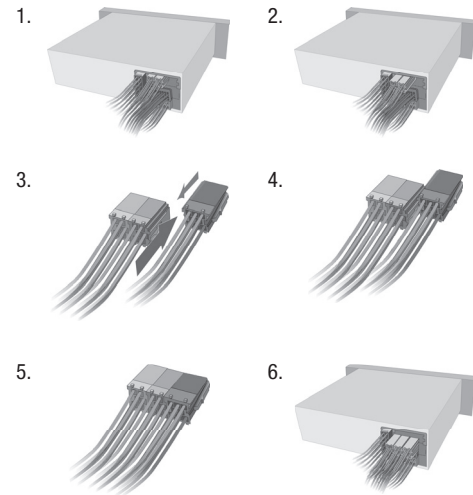
#### Cars with quadlock connector (break-in)



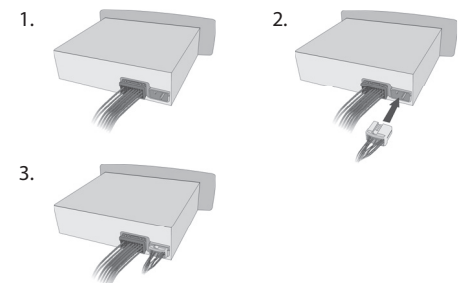
#### BMW's with 17-pin connector



#### Cars with mini ISO connector



#### If the CDC connector has separated housing:



**Please note:** Some car side harness versions of the Gateway may include a separate brown and/or black cable. The free brown cable is unused, please leave it as it is. The free black lead must be grounded/connected to the metal chassis of the radio (or car).

### 5. Connections on the Gateway's hardware

Connect the 12 (or 18) pin molex plug to the car side of the Gateway Lite module. You can place the hardware of the Gateway behind the head unit or into the glove box. Connect the Dension 30-pin Dock Cable or the Dension Lightning adapter for Gateway into the 9-pin round connector. If you want to add your USB stick then you can plug it directly in the USB port or you can plug in a USB extension cable, but in this case please use an as short cable as you can, because of power loss. You can lead these cables trough the dashboard to an appropriate location.

**Warning! Do not trap the cables, or leave them in a position where they may become trapped after refitting the head unit.**

### 6. Test and refit

Before you refit the head unit, test the Gateway with your car audio making sure all connections are correct and that you have full functionality.

Note: If during testing you notice any changes or inconsistencies in the way the car's electrical system operates, disconnect the Gateway product immediately and consult your dealer. When you have tested everything, refit your head unit. Do not trap the cables, or leave them in a position where they may become trapped after refitting the head unit. We supply cable ties to mount the Gateway module. Please mount the module away from heat or damp surfaces. Refit is the reversal of the removal process for your specific vehicle, as per your manufacturer's instructions.

### 7. Disclaimer

If your car's electrical system begins to behave in an unpredictable way please disconnect the Gateway Lite interface physically immediately and have it checked by your installer. Dension and its authorized distributors and retailers are not liable for any incidental consequential or indirect damages or loss and do not assume liability for any diagnostic fees. The use of handheld devices while driving maybe subject to government legislation. Please ensure that your use of the Dension device complies with applicable traffic laws. Dension does not assume liability for any events resulting from the illegal or irresponsible use of handheld devices while driving. Dension reserves the right to modify its products or specifications without prior notice.

### 8. Warranty

Dension devices carry a one-year limited warranty that protects you from defects in material and workmanship of products sold by Dension or its authorized distributors and retailers. Dension does not warrant any installation work or assume liability for any damage caused due to negligence, improper installation or operation. For warranty claims, proof of purchase is required.

### 9. Update and support

If you need further assistance in using your Dension product, please contact your local supplier or visit our website at [www.dension.com](http://www.dension.com). You can ask for the help of our trained technicians through the channels described on our support page. Please check the download section for the latest firmware version and product documentation, as these may provide additional features or easier use of the product.